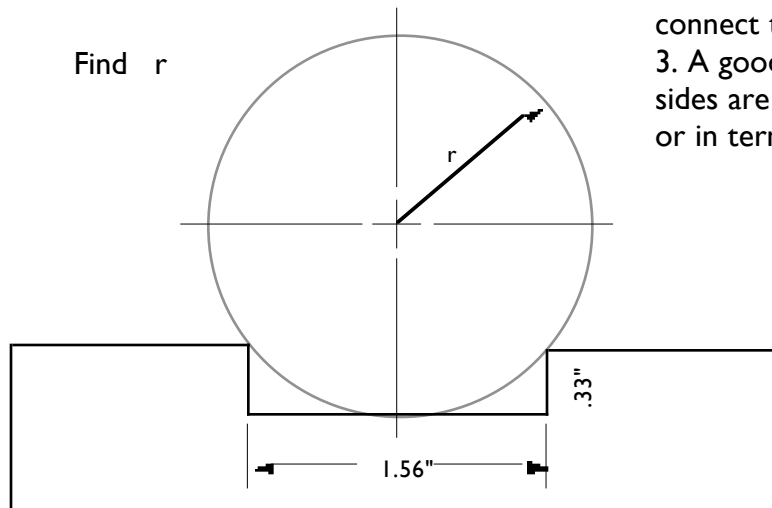


Discovering Triangles

PROBLEM I

Find r



Tips:

1. Identify important points.
2. If there are two or more circles, connect their centres.
3. A good triangle is one whose sides are known, either as a number or in terms of the unknown.

HINT

